

## Cover caps for angle pieces for profile systems

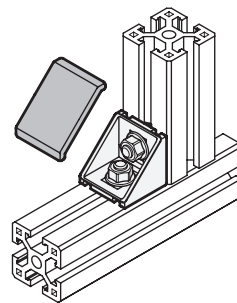
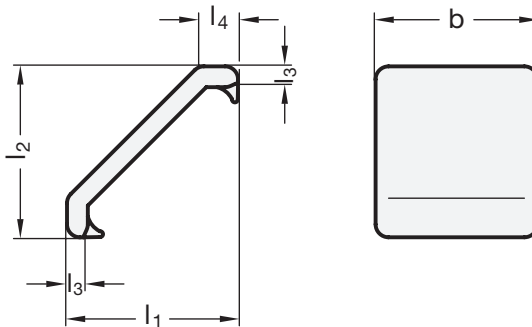
### SPECIFICATION

Plastic (Polyamide PA)  
black, RAL 9005, textured finish **SW**

### INFORMATION

The cover caps GN 963 are suitable for use with angle pieces for profile systems GN 960 (see page 1897) and GN 961 (see page 1898). After assembly the angle pieces, the cover caps are snapped into place via four lugs. They lend the angle piece an attractive appearance and protect against dirt.

Even after repeated use, the cover caps will remain firmly in place inside the angle pieces thanks to the elastic snap-type lugs.



### GN 963

Description	b Nominal size	b Actual size	l1	l2	l3	l4	⚖
GN 963-30-30-30-SW	30	28	30	30	3	6.8	3
GN 963-40-40-40-SW	40	38	40	40	4	7.2	6
GN 963-45-45-45-SW	45	43	45	45	4	11.5	9